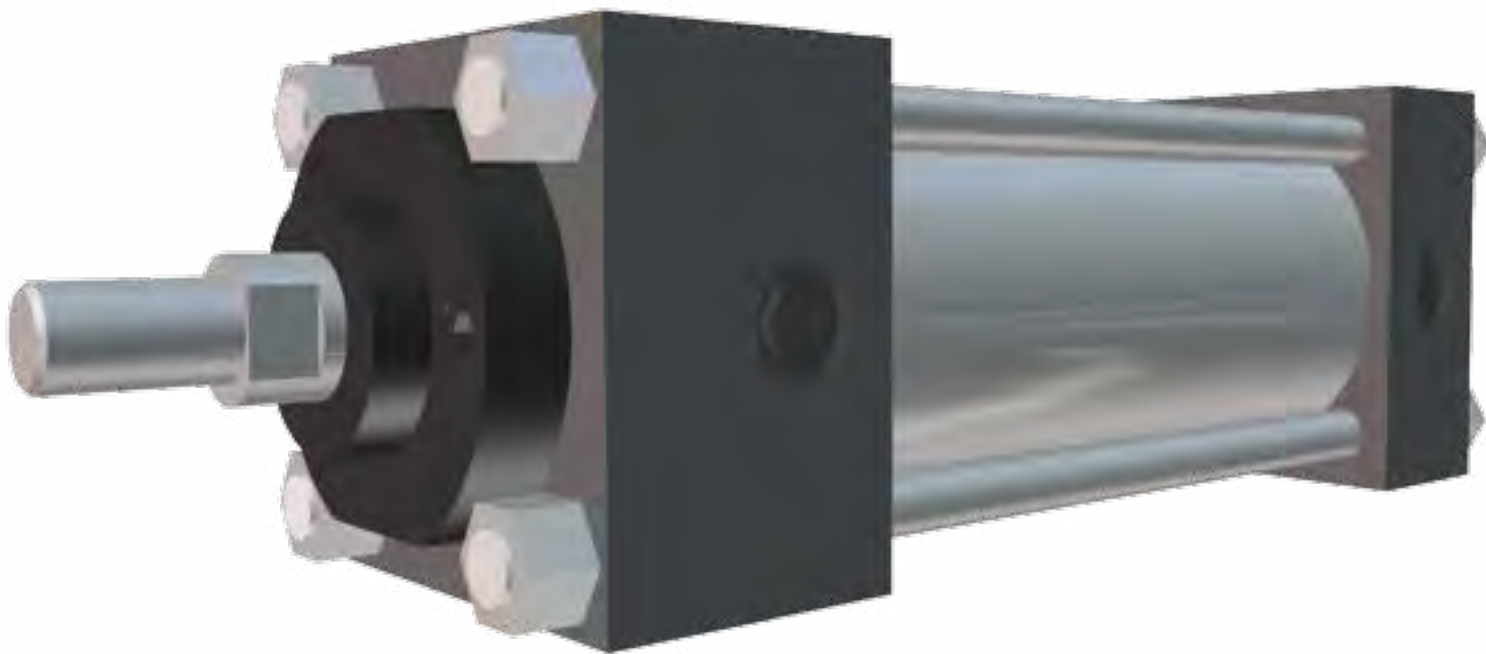


Class 5A

Low Pressure NFPA Aluminum Cylinders



REED SWITCH WITH BRACKET

Miniature Reed Switch, 24" (24 AWG Wire, PVC Jacket)
Plain Cable Lead, Circuit Protection (2 wire Switch)

BORE SIZE	PART NUMBER
1.50" - 2.50"	19456E00-1
3.25" - 12.00"	19456E00-2

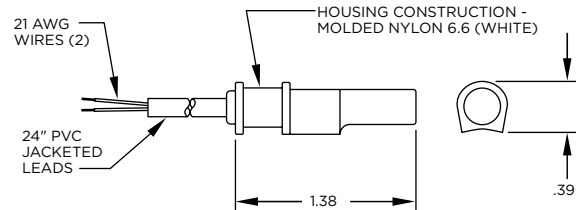
Contacts SPST Form A (Normally Open)
Contact Rating 10 Watts Max.
Input Voltage 120 Volts Max. (AC or DC)
Maximum Load Current 150 mA Max.
Actuating Time Average 1.0 millisecond
LED Indicator High Luminescence Housing
Temperature Range -4°F to 158°F (-20°C to 70°C)
Protection Rating IP67

Circuit Protection

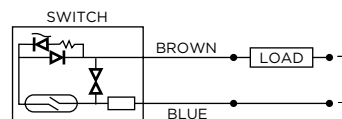
Varistor 138 Volts
Choke 680 μ H



NOTE: The circuit protection consists of a Varistor and Choke arrangement. The Varistor will take transient & voltage spikes out of the line and is mounted in parallel with the switch. The Choke will disperse inrush currents (normally caused by long cable runs) and is mounted in series with the switch.



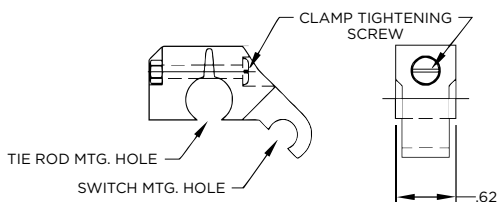
WIRING DIAGRAM



Miniature Reed Switch, Cable Type (2 Wire Switch)
Input Voltage 120 Volts Max. AC/DC
Maximum Load Current 150 mA Max.

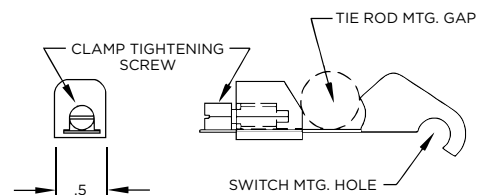
SWITCH BRACKET

(For 1.50" Through 2.50" Bore Cylinders)
Bracket Construction: Molded Nylon 6 (Black) and Stainless Steel Hardware

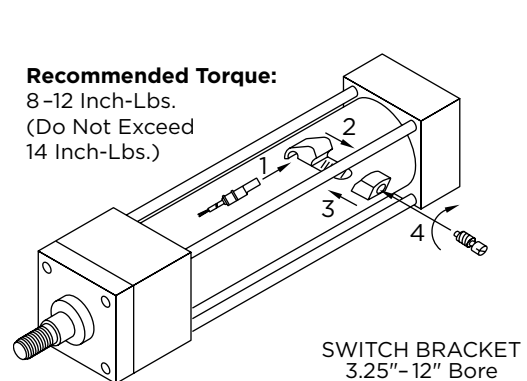
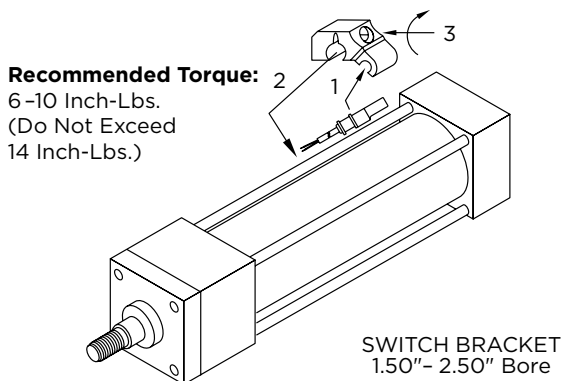


SWITCH BRACKET

(For 3.25" Through 12.00" Bore Cylinders)
Bracket Construction: Molded Nylon 6 (Black) and Stainless Steel Hardware



HOW TO ASSEMBLE SWITCH AND BRACKETS



Specify Magnetic Piston option for ALL switch models when ordering cylinders.