

Class 3

High Pressure Square-Head Cylinders



OPTIONS

BORE SIZE SELECTION

Unlike air applications, the output force of a cylinder for hydraulic service need be only slightly greater than the required force. Hydraulic cylinder speed is dependent directly on the relationship of supply flow rate to cylinder volume. Force tables to aid in cylinder sizing are on page 65.

MOUNTINGS

Select the cylinder mounting which will keep the line of force as close as possible to the centerline of the piston rod and free of misalignment. This will maximize seal and bearing life.

CUSTOM MODIFICATIONS

STOP TUBES

In long cylinders used on push applications, internal stop tubes are installed to prevent excessive bearing wear. They are located between the piston and rod end head. See page 66 for instructions.

OVERSIZE RODS

For long, push stroke cylinders, oversize rods may be required. See page 66 for instructions.

DOUBLE ROD END

NOPAK Class 3 cylinders when ordered as double rod end are designated by prefixing the model with the letter "X." Mounting dimensions may vary from standard because two rod end heads are used. See page 56 through page 59.

CUSHIONS

NOPAK Class 3 cylinders are available with adjustable cushions on either or both ends, or non-cushion. The purpose of a cushion is to slow up piston speed at the end of the stroke, eliminating shock. The mass to be cushioned should be limited to one-half the cylinder force unless other provisions are made for deceleration or special cushioning.

PISTON ROD EXTENSION AND ROD THREADING

Longer than standard piston rod extensions may be required to accommodate load fastening. Depending upon the details of rod engagement to load, special threading or rod end configuration may be required.

CYLINDER PORTS

Ports are offered as NPTF, SAE O-ring or SAE Flange Type. NPTF ports standard for 1-1/2" thru 8" diameter cylinder bores. To increase cylinder speed, increased fluid volume is necessary. This can be done by using enlarged or additional ports.

HOW TO ORDER

You can help ensure prompt processing of your order by including all of the following requested information:

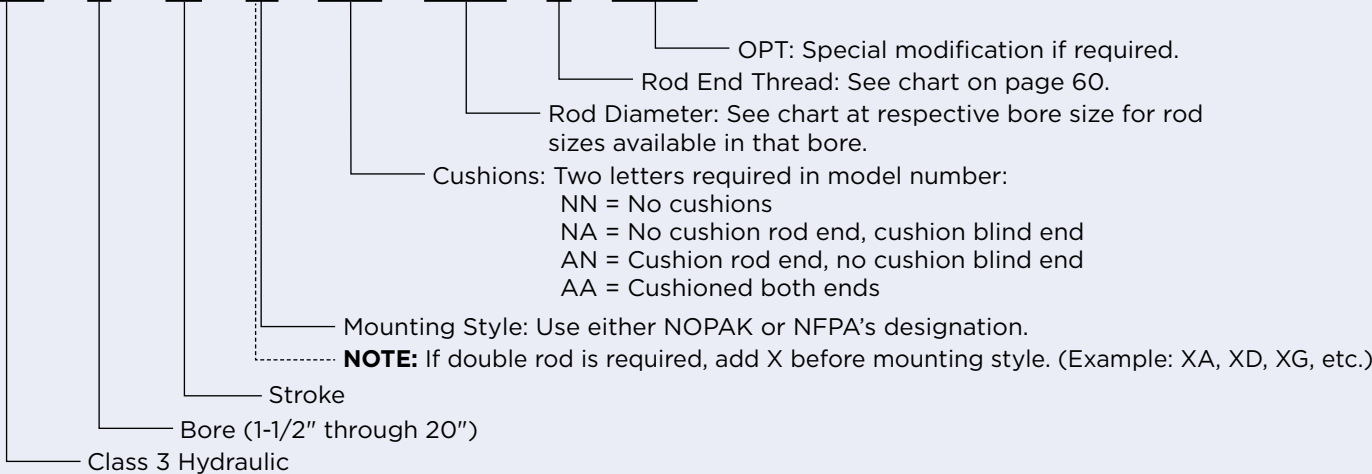
1. Quantity required.
2. Specify Class 3.
3. Bore or cylinder diameter size.
4. Stroke length in inches.
5. Type of mounting (NOPAK model or NFPA style.)
6. Type of cushioning:
 - NN = non-cushioned
 - NA = cushioned blind end
 - AN = cushioned rod end
 - AA = cushioned both ends
7. Piston rod diameter and type of rod threading - specify Type 1, 3, 4, 5, 6 or 7. See page 60.

Also Specify:

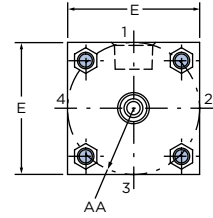
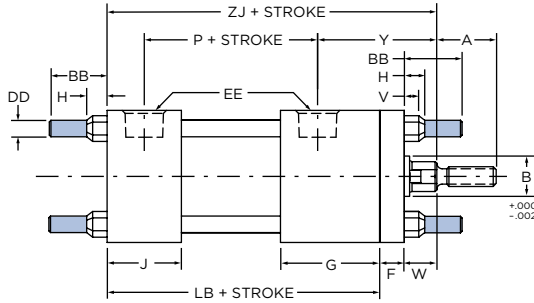
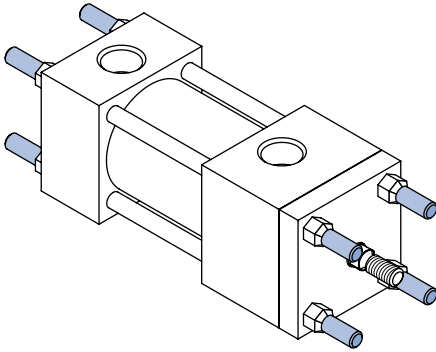
1. Position of cylinder ports and cushion adjustment screw, if other than standard. Standard positions are:
 - Cylinder ports - position 1
 - Ball check - position 2
 - Cushion adjustment - position 4
2. Extreme high or low operating or ambient temperatures.
3. Extreme operating pressures.
4. Type of operating fluid if other than standard petroleum base oil.
5. Any unusual operating conditions.

ORDERING CODE EXAMPLE

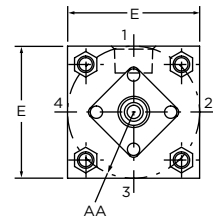
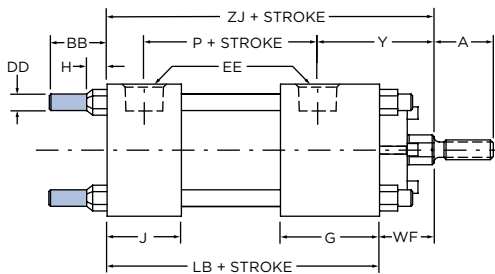
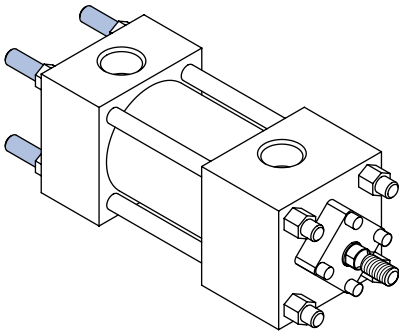
CL3 - 4 x 18 - A - Δ Δ - 1.75 - 4 - OPT



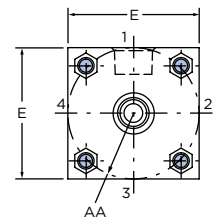
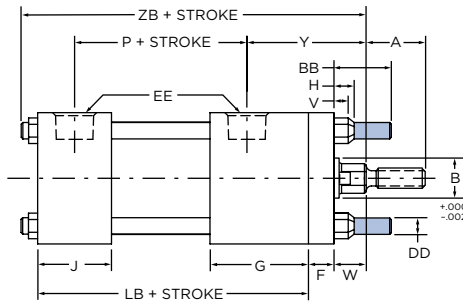
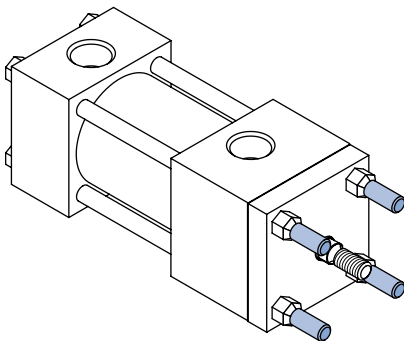
MODEL T (NFPA STD. MX1)



MODEL TB (NFPA STD. MX2) ▲



MODEL TR (NFPA STD. MX3)



▲ = See Table A on page 57 for bore and rod combinations using head plates with threaded bronze glands.

TIE-ROD MOUNT CYLINDERS

1-1/2" THROUGH 8" DIAMETER

Table 1 These dimensions are constant regardless of rod diameter or stroke.

Double rod end models are designated by letter "X" preceding the model identification. See page 56.

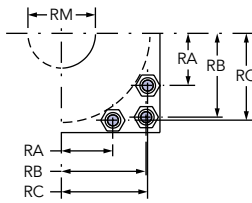
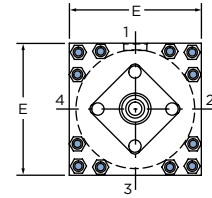
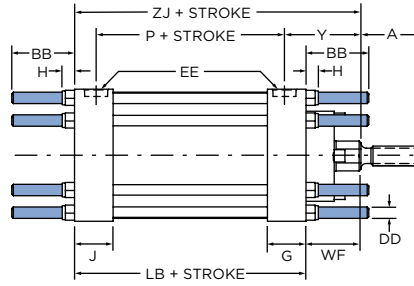
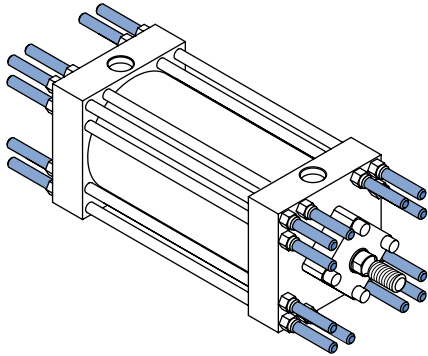
BORE DIA.	E	F	G	H	J	AA	BB	DD	EE
1-1/2	2-1/2	3/8	1-3/4	11/32	1-1/2	2.56	1-3/8	3/8-24	1/2
2	3	5/8	1-3/4	3/8	1-1/2	3.10	1-5/8	7/16-20	1/2
2-1/2	3-1/2	5/8	1-3/4	15/32	1-1/2	3.61	1-7/8	1/2-20	1/2
3-1/4	4-1/2	3/4	2-1/4	9/16	1-3/4	4.60	2-3/8	5/8-18	3/4
4	5	7/8	2-1/4	9/16	1-3/4	5.40	2-3/8	5/8-18	3/4
5	6-1/2	7/8	2-1/4	25/32	1-3/4	7.00	3-1/4	7/8-14	3/4
6	7-1/2	1	2-1/2	7/8	2-1/4	8.10	3-5/8	1-14	1
7	8-1/2	1	2-3/4	1	2-3/4	9.30	4-1/8	1-1/8-12	1-1/4
8	9-1/2	1	3	1-1/8	3	10.61	4-1/2	1-1/4-12	1-1/2

Table 2 The dimensions given on this table are affected by the piston rod diameter and the stroke.

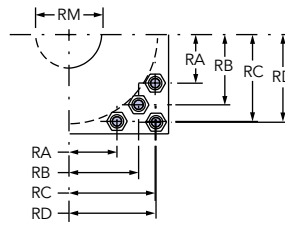
• = For piston rod dimensions see page 60.

BORE DIA.	ROD MM•	A	B	P	V	W	Y	LB	WF	ZB	ZJ
1-1/2	5/8	3/4	1-1/8	2-3/4	1/4	5/8	2-1/16	4-5/8	1	6-1/8	5-5/8
	1	1-1/8	1-1/2	2-3/4	1/2	1	2-7/16	4-5/8	1-3/8	6-1/2	6
2	1	1-1/8	1-1/2	2-3/4	1/4	3/4	2-7/16	4-5/8	1-3/8	6-1/2	6
	1-3/8	1-5/8	2	2-3/4	3/8	1	2-11/16	4-5/8	1-5/8	6-3/4	6-1/4
2-1/2	1	1-1/8	1-1/2	2-7/8	1/4	3/4	2-7/16	4-3/4	1-3/8	6-3/4	6-1/8
	1-3/8	1-5/8	2	2-7/8	3/8	1	2-11/16	4-3/4	1-5/8	7	6-3/8
	1-3/4	2	2-3/8	2-7/8	1/2	1-1/4	2-15/16	4-3/4	1-7/8	7-1/4	6-5/8
3-1/4	1-3/8	1-5/8	2	3-1/4	1/4	7/8	3	5-1/2	1-5/8	7-7/8	7-1/8
	1-3/4	2	2-3/8	3-1/4	3/8	1-1/8	3-1/4	5-1/2	1-7/8	8-1/8	7-3/8
	2	2-1/4	2-5/8	3-1/4	3/8	1-1/4	3-3/8	5-1/2	2	8-1/4	7-1/2
4	1-3/4	2	2-3/8	3-1/2	1/4	1	3-1/4	5-3/4	1-7/8	8-3/8	7-5/8
	2	2-1/4	2-5/8	3-1/2	1/4	1-1/8	3-3/8	5-3/4	2	8-1/2	7-3/4
	2-1/2	3	3-1/8	3-1/2	3/8	1-3/8	3-5/8	5-3/4	2-1/4	8-3/4	8
5	2	2-1/4	2-5/8	4	1/4	1-1/8	3-3/8	6-1/4	2	9-1/4	8-1/4
	2-1/2	3	3-1/8	4	3/8	1-3/8	3-5/8	6-1/4	2-1/4	9-1/2	8-1/2
	3	3-1/2	3-3/4	4	3/8	1-3/8	3-5/8	6-1/4	2-1/4	9-1/2	8-1/2
	3-1/2	3-1/2	4-1/4	4	3/8	1-3/8	3-5/8	6-1/4	2-1/4	9-1/2	8-1/2
6	2-1/2	3	3-1/8	4-5/8	1/4	1-1/4	3-3/4	7-3/8	2-1/4	10-3/4	9-5/8
	3	3-1/2	3-3/4	4-5/8	1/4	1-1/4	3-3/4	7-3/8	2-1/4	10-3/4	9-5/8
	3-1/2	3-1/2	4-1/4	4-5/8	1/4	1-1/4	3-3/4	7-3/8	2-1/4	10-3/4	9-5/8
	4	4	4-3/4	4-5/8	1/4	1-1/4	3-3/4	7-3/8	2-1/4	10-3/4	9-5/8
7	3	3-1/2	3-3/4	5-3/8	1/4	1-1/4	3-13/16	8-1/2	2-1/4	11-7/8	10-3/4
	3-1/2	3-1/2	4-1/4	5-3/8	1/4	1-1/4	3-13/16	8-1/2	2-1/4	11-7/8	10-3/4
	4	4	4-3/4	5-3/8	1/4	1-1/4	3-13/16	8-1/2	2-1/4	11-7/8	10-3/4
	4-1/2	4-1/2	5-1/4	5-3/8	1/4	1-1/4	3-13/16	8-1/2	2-1/4	11-7/8	10-3/4
	5	5	5-3/4	5-3/8	1/4	1-1/4	3-13/16	8-1/2	2-1/4	11-7/8	10-3/4
8	3-1/2	3-1/2	4-1/4	6	1/4	1-1/4	4	9-1/2	2-1/4	13-1/8	11-3/4
	4	4	4-3/4	6	1/4	1-1/4	4	9-1/2	2-1/4	13-1/8	11-3/4
	4-1/2	4-1/2	5-1/4	6	1/4	1-1/4	4	9-1/2	2-1/4	13-1/8	11-3/4
	5	5	5-3/4	6	1/4	1-1/4	4	9-1/2	2-1/4	13-1/8	11-3/4
	5-1/2	5-1/2	6-1/4	6	1/4	1-1/4	4	9-1/2	2-1/4	13-1/8	11-3/4

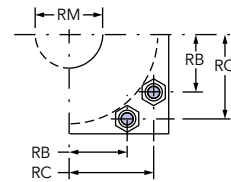
MODEL T (NFPA STD. MX1)



10" Bore

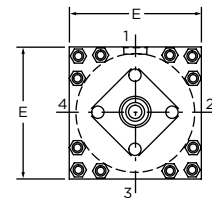
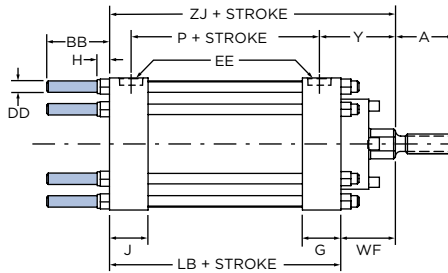
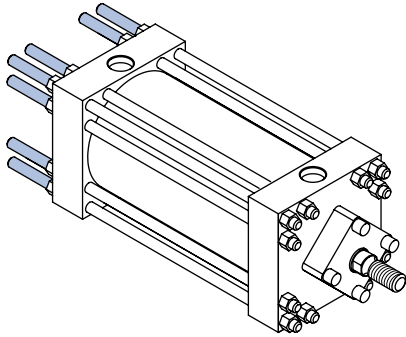


12" Bore

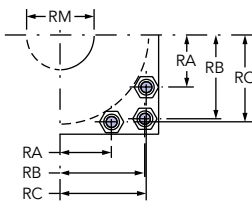
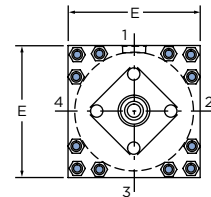
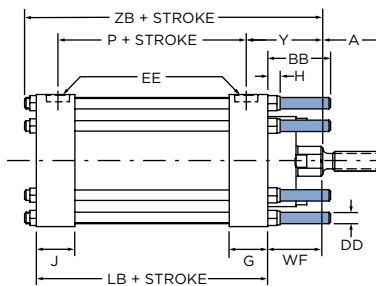
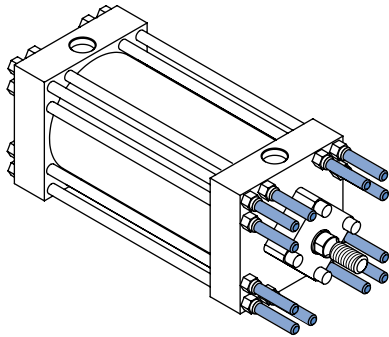


14" Bore

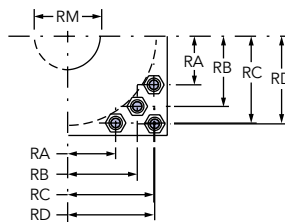
MODEL TB (NFPA STD. MX2)



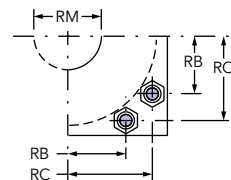
MODEL TR (NFPA STD. MX3)



10" Bore



12" Bore



14" Bore

TIE-ROD MOUNT CYLINDERS

10" THROUGH 14" DIAMETER

Table 1 These dimensions are constant regardless of rod diameter or stroke.

Double rod end models are designated by letter "X" preceding the model identification. See page 56.

BORE DIA.	E	G	H	J	BB	DD	EE	RA	RB	RC	RD	RE
10	12-5/8	3-11/16	7/8	3-11/16	6	1-14	2	3.312	5.438	5.531	-	-
12	14-7/8	4-7/16	7/8	4-7/16	7	1-14	2-1/2	3.718	5.344	6.593	6.656	-
14	17-1/4	4-7/8	1-9/32	4-7/8	8	1-1/2-12	2-1/2	-	5	7.313	-	-

Table 2 The dimensions given on this table are affected by the piston rod diameter and the stroke.

• = For piston rod dimensions see page 60.

BORE DIA.	ROD MM•	A	P	Y	LB	RM	WF	ZB	ZJ
10	4-1/2	4-1/2	8	5	12-1/8	7-3/4	2-15/16	16-3/16	15-1/16
	5	5	8	5-1/4	12-1/8	8-3/8	3-3/16	16-7/16	15-5/16
	5-1/2	5-1/2	8	5-1/4	12-1/8	9	3-3/16	16-7/16	15-5/16
	7	7	8	5-1/4	12-1/8	10-1/4	3-3/16	16-7/16	15-5/16
12	5-1/2	5-1/2	9-5/8	5-5/8	14-1/2	9	3-3/16	18-13/16	17-11/16
	7	7	9-5/8	5-7/8	14-1/2	10-1/4	3-7/16	19-1/16	17-15/16
	8	8	9-5/8	5-7/8	14-1/2	11-1/4	3-7/16	19-1/16	17-15/16
14	7	7	9-7/8	6-3/8	15-5/8	10-1/4	3-1/2	20-1/4	19-1/8
	8	8	9-7/8	6-3/8	15-5/8	11-1/4	3-1/2	20-1/4	19-1/8
	10	10	9-7/8	6-3/8	15-5/8	14	3-1/2	20-1/4	19-1/8