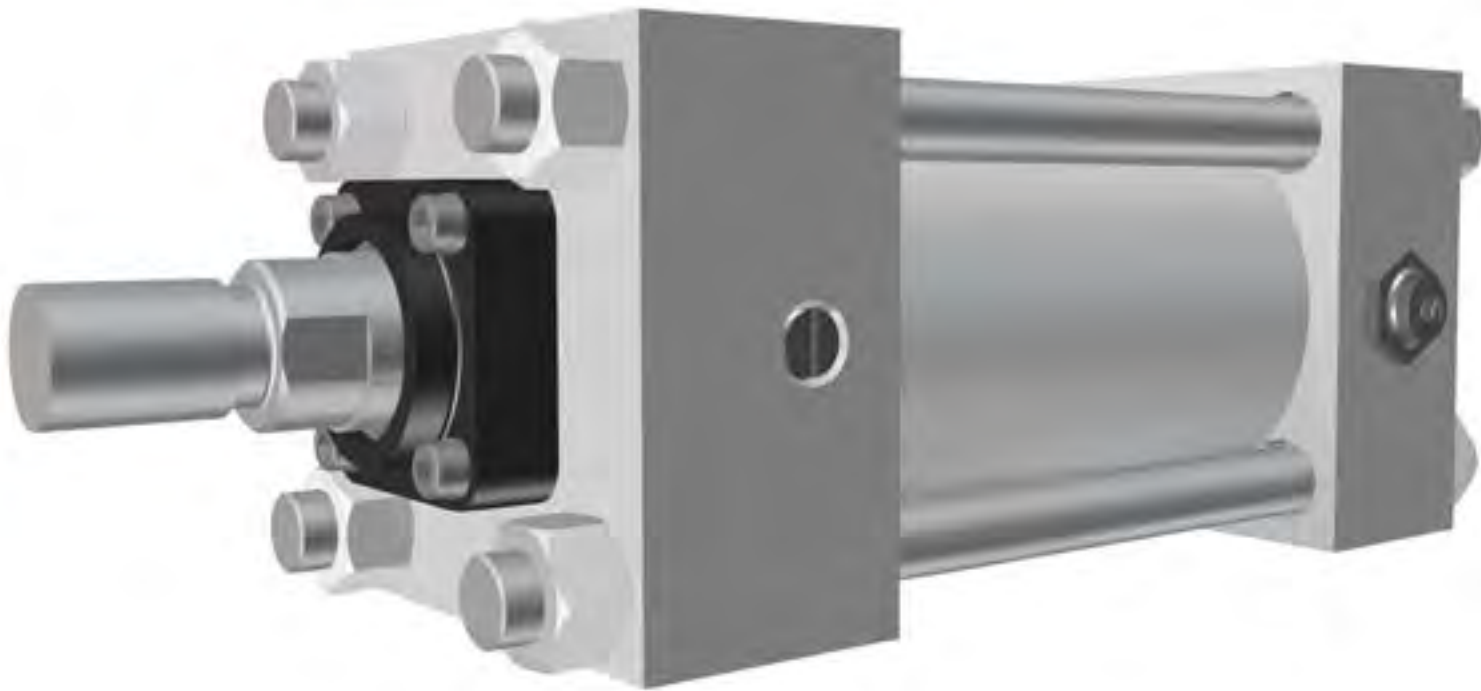


Class 6

Intermediate Pressure Square-Head Cylinders



HOW TO ORDER

YOU CAN HELP ENSURE PROMPT PROCESSING OF YOUR ORDER BY INCLUDING ALL OF THE FOLLOWING REQUESTED INFORMATION:

1. Quantity required.
2. Operating medium: Series P6 or H6.
P for pneumatic and H for hydraulic.
3. Bore size.
4. Stroke length in inches.
5. Type of mounting (NOPAK Model or NFPA STD. style).
6. Type of cushioning:
NN = non-cushioned
NA = cushioned blind end
AN = cushioned rod end
AA = cushioned both ends
7. Piston rod diameter and type of rod threading - specify Type 1, 3, 4, 5, 6 or 7. See page 130.

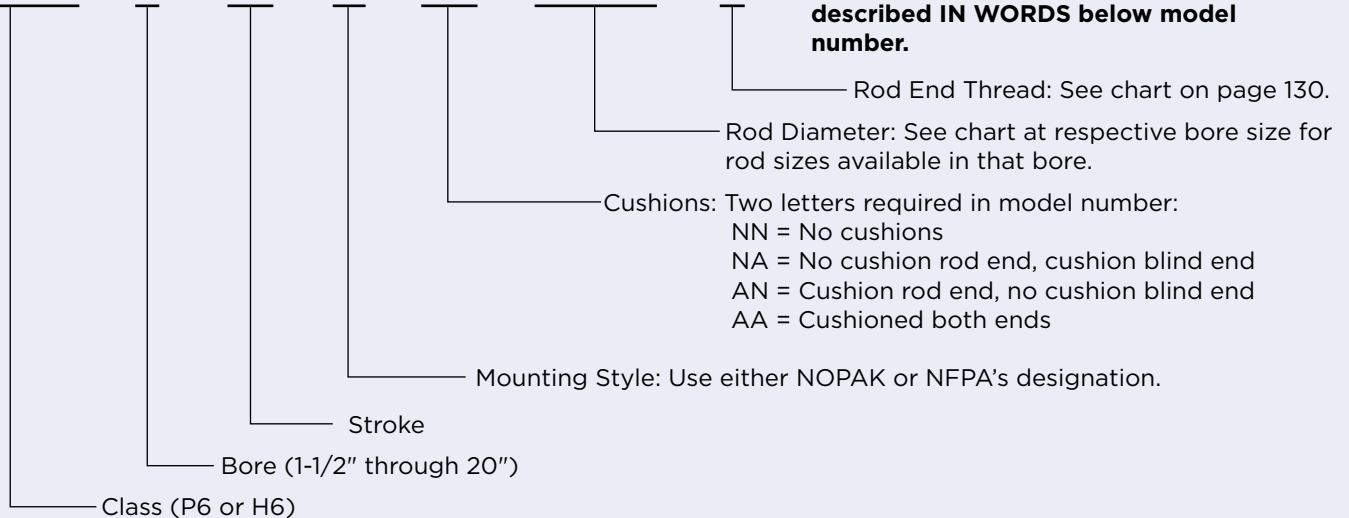
ALSO SPECIFY:

1. Position of cylinder ports and cushion adjustment screws, if other than standard. Standard positions are:
National pipe thread inlets - position 1
Ball check - position 2
Cushion adjustment - position 4
2. Extreme high or low operating or ambient temperatures.
3. Type of hydraulic fluid if other than standard petroleum base oil.
4. Any unusual operating conditions.

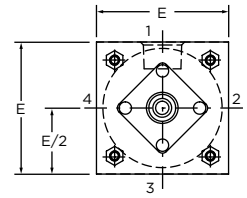
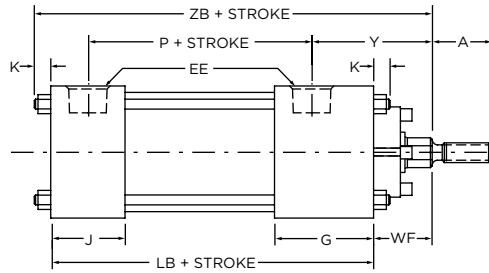
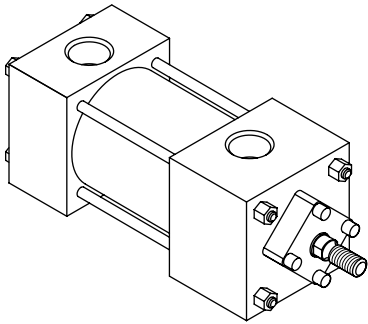
ORDERING CODE EXAMPLE

CLP6 - 8 x 18 - A - ΔΔ - 1-3/8 - 4

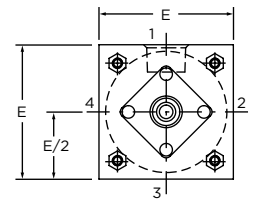
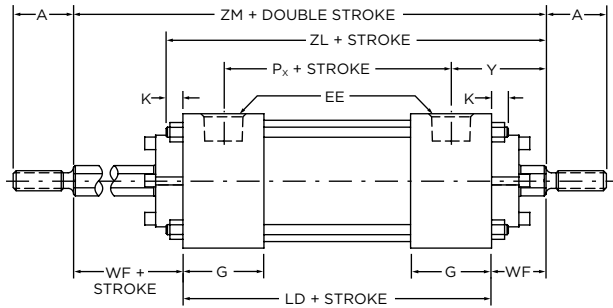
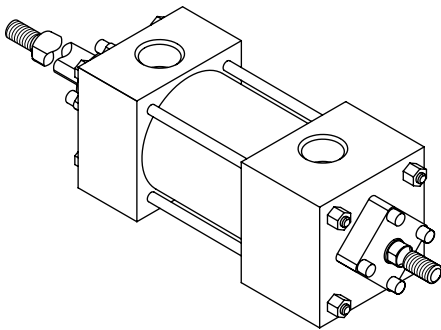
Any special requirements should be described IN WORDS below model number.



MODEL H (NFPA STD. NONE)▲



MODEL XH (NFPA STD. NONE)▲



▲ = See Table A on page 125 for bore and rod combinations using head plates with threaded bronze glands.

Table 1 These dimensions are constant regardless of rod diameter or stroke.

Double rod end models are designated by letter "X" preceding the model identification.

BORE DIA.	E	G	J	K	EE
1-1/2	2	1-1/2	1-1/8	1/4	3/8
2	2-1/2	1-1/2	1-1/8	3/8	3/8
2-1/2	3	1-1/2	1-1/8	5/16	3/8
3-1/4	3-3/4	1-3/4	1-1/4	7/16	1/2
4	4-1/2	1-3/4	1-1/4	7/16	1/2
5	5-1/2	1-3/4	1-1/4	1/2	1/2
6	6-1/2	2	1-1/2	9/16	3/4

BASIC MODEL NO MOUNT CYLINDERS

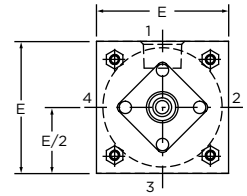
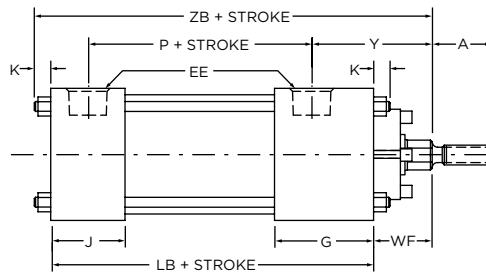
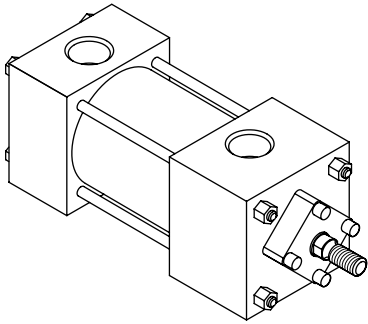
1-1/2" THROUGH 6" DIAMETER

Table 2 The dimensions given on this table are affected by the piston rod diameter and the stroke.

• = For piston rod dimensions see page 130.

BORE DIA.	ROD MM•	A	P	Px	Y	LB	LD	WF	ZB	ZL	ZM
1-1/2	5/8	3/4	2-1/8	2-1/4	1-15/16	3-5/8	4-1/8	1	4-7/8	5-3/8	6-1/8
	1	1-1/8	2-1/8	2-1/4	2-5/16	3-5/8	4-1/8	1-3/8	5-1/4	5-3/4	6-7/8
2	5/8	3/4	2-1/8	2-1/4	1-15/16	3-5/8	4-1/8	1	5	5-1/2	6-1/8
	1	1-1/8	2-1/8	2-1/4	2-5/16	3-5/8	4-1/8	1-3/8	5-3/8	5-7/8	6-7/8
	1-3/8	1-5/8	2-1/8	2-1/4	2-9/16	3-5/8	4-1/8	1-5/8	5-11/16	6-1/8	7-3/8
2-1/2	5/8	3/4	2-1/4	2-3/8	1-15/16	3-3/4	4-1/4	1	5-1/16	5-9/16	6-1/4
	1	1-1/8	2-1/4	2-3/8	2-5/16	3-3/4	4-1/4	1-3/8	5-7/16	5-15/16	7
	1-3/8	1-5/8	2-1/4	2-3/8	2-9/16	3-3/4	4-1/4	1-5/8	5-11/16	6-3/16	7-1/2
	1-3/4	2	2-1/4	2-3/8	2-13/16	3-3/4	4-1/4	1-7/8	5-15/16	6-7/16	8
3-1/4	1	1-1/8	2-1/2	2-1/2	2-1/2	4-1/4	4-3/4	1-3/8	6-1/16	6-9/16	7-1/2
	1-3/8	1-5/8	2-1/2	2-1/2	2-3/4	4-1/4	4-3/4	1-5/8	6-5/16	6-13/16	8
	1-3/4	2	2-1/2	2-1/2	3	4-1/4	4-3/4	1-7/8	6-9/16	7-1/16	8-1/2
	2	2-1/4	2-1/2	2-1/2	3-1/8	4-1/4	4-3/4	2	6-11/16	7-3/16	8-3/4
4	1	1-1/8	2-1/2	2-1/2	2-1/2	4-1/4	4-3/4	1-3/8	6-1/16	6-9/16	7-1/2
	1-3/8	1-5/8	2-1/2	2-1/2	2-3/4	4-1/4	4-3/4	1-5/8	6-5/16	6-13/16	8
	1-3/4	2	2-1/2	2-1/2	3	4-1/4	4-3/4	1-7/8	6-9/16	7-1/16	8-1/2
	2	2-1/4	2-1/2	2-1/2	3-1/8	4-1/4	4-3/4	2	6-11/16	7-3/16	8-3/4
	2-1/2	3	2-1/2	2-1/2	3-3/8	4-1/4	4-3/4	2-1/4	6-15/16	7-7/16	9-1/4
5	1	1-1/8	2-3/4	2-3/4	2-1/2	4-1/2	5	1-3/8	6-3/8	6-7/8	7-3/4
	1-3/8	1-5/8	2-3/4	2-3/4	2-3/4	4-1/2	5	1-5/8	6-5/8	7-1/8	8-1/4
	1-3/4	2	2-3/4	2-3/4	3	4-1/2	5	1-7/8	6-7/8	7-3/8	8-3/4
	2	2-1/4	2-3/4	2-3/4	3-1/8	4-1/2	5	2	7	7-1/2	9
	2-1/2	3	2-3/4	2-3/4	3-3/8	4-1/2	5	2-1/4	7-1/4	7-3/4	9-1/2
	3	3-1/2	2-3/4	2-3/4	3-3/8	4-1/2	5	2-1/4	7-1/4	7-3/4	9-1/2
	3-1/2	3-1/2	2-3/4	2-3/4	3-3/8	4-1/2	5	2-1/4	7-1/4	7-3/4	9-1/2
6	1-3/8	1-5/8	3-1/8	3-1/8	2-13/16	5	5-1/2	1-5/8	7-3/16	7-11/16	8-3/4
	1-3/4	2	3-1/8	3-1/8	3-1/16	5	5-1/2	1-7/8	7-7/16	7-15/16	9-1/4
	2	2-1/4	3-1/8	3-1/8	3-3/16	5	5-1/2	2	7-9/16	8-1/16	9-1/2
	2-1/2	3	3-1/8	3-1/8	3-7/16	5	5-1/2	2-1/4	7-13/16	8-5/16	10
	3	3-1/2	3-1/8	3-1/8	3-7/16	5	5-1/2	2-1/4	7-13/16	8-5/16	10
	3-1/2	3-1/2	3-1/8	3-1/8	3-7/16	5	5-1/2	2-1/4	7-13/16	8-5/16	10
	4	4	3-1/8	3-1/8	3-7/16	5	5-1/2	2-1/4	7-13/16	9-5/16	10

MODEL H (NFPA STD. NONE)



MODEL XH (NFPA STD. NONE)

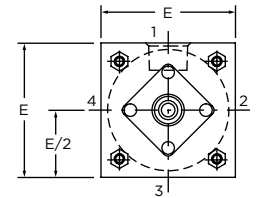
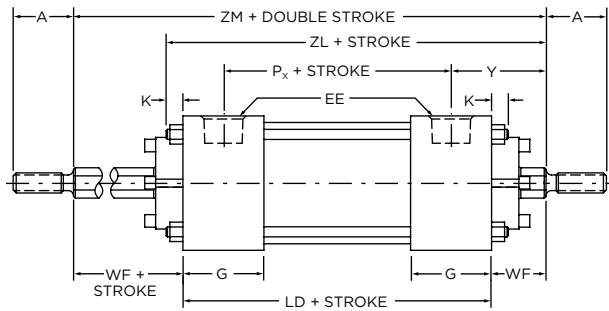
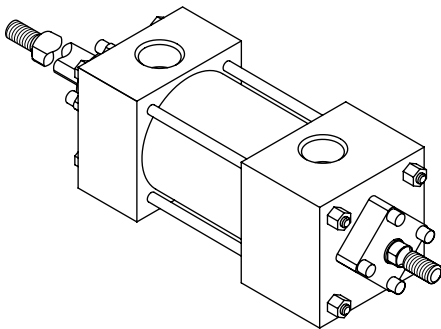


Table 1 These dimensions are constant regardless of rod diameter or stroke.

Double rod end models are designated by letter "X" preceding the model identification.

BORE DIA.	E	G	J	K	EE
8	8-1/2	2	1-1/2	5/8	3/4
10	10-5/8	2-1/4	2	3/4	1
12	12-3/4	2-1/4	2	3/4	1
14	14-3/4	2-3/4	2-1/4	7/8	1-1/4
16	17-1/2	3	3	1	1-1/4
18	19-1/2	3-7/16	3-7/16	1-1/8	1-1/2
20	21-3/4	3-15/16	3-15/16	1-1/4	2

BASIC MODEL NO MOUNT CYLINDERS

8" THROUGH 20" DIAMETER

Table 2 The dimensions given on this table are affected by the piston rod diameter and the stroke.

• = For piston rod dimensions see page 130.

BORE DIA.	ROD MM•	A	P	Y	LB	LD	WF	ZB	ZL	ZM
8	1-3/8	1-5/8	3-1/4	2-13/16	5-1/8	5-5/8	1-5/8	7-3/8	7-7/8	8-7/8
	1-3/4	2	3-1/4	3-1/16	5-1/8	5-5/8	1-7/8	7-5/8	8-1/8	9-3/8
	2	2-1/4	3-1/4	3-3/16	5-1/8	5-5/8	2	7-3/4	8-1/4	9-5/8
	2-1/2	3	3-1/4	3-7/16	5-1/8	5-5/8	2-1/4	8	8-1/2	10-1/8
	3	3-1/2	3-1/4	3-7/16	5-1/8	5-5/8	2-1/4	8	8-1/2	10-1/8
	3-1/2	3-1/2	3-1/4	3-7/16	5-1/8	5-5/8	2-1/4	8	8-1/2	10-1/8
	4	4	3-1/4	3-7/16	5-1/8	5-5/8	2-1/4	8	8-1/2	10-1/8
	4-1/2	4-1/2	3-1/4	3-7/16	5-1/8	5-5/8	2-1/4	8	8-1/2	10-1/8
	5	5	3-1/4	3-7/16	5-1/8	5-5/8	2-1/4	8	8-1/2	10-1/8
10	5-1/2	5-1/2	3-1/4	3-7/16	5-1/8	5-5/8	2-1/4	8	8-1/2	10-1/8
	1-3/4	2	4	3-3/16	6-3/8	6-5/8	1-7/8	9	9-1/4	10-3/8
	2	2-1/4	4	3-5/16	6-3/8	6-5/8	2	9-1/8	9-3/8	10-5/8
	2-1/2	3	4	3-9/16	6-3/8	6-5/8	2-1/4	9-3/8	9-5/8	11-1/8
	3	3-1/2	4	3-9/16	6-3/8	6-5/8	2-1/4	9-3/8	9-5/8	11-1/8
	3-1/2	3-1/2	4	3-9/16	6-3/8	6-5/8	2-1/4	9-3/8	9-5/8	11-1/8
	4	4	4	3-9/16	6-3/8	6-5/8	2-1/4	9-3/8	9-5/8	11-1/8
	4-1/2	4-1/2	4	3-9/16	6-3/8	6-5/8	2-1/4	9-3/8	9-5/8	11-1/8
	5	5	4	3-9/16	6-3/8	6-5/8	2-1/4	9-3/8	9-5/8	11-1/8
12	5-1/2	5-1/2	4	3-9/16	6-3/8	6-5/8	2-1/4	9-3/8	9-5/8	11-1/8
	2	2-1/4	4-1/2	3-5/16	6-7/8	7-1/8	2	9-5/8	9-7/8	11-1/8
	2-1/2	3	4-1/2	3-9/16	6-7/8	7-1/8	2-1/4	9-7/8	10-1/8	11-5/8
	3	3-1/2	4-1/2	3-9/16	6-7/8	7-1/8	2-1/4	9-7/8	10-1/8	11-5/8
	3-1/2	3-1/2	4-1/2	3-9/16	6-7/8	7-1/8	2-1/4	9-7/8	10-1/8	11-5/8
	4	4	4-1/2	3-9/16	6-7/8	7-1/8	2-1/4	9-7/8	10-1/8	11-5/8
	4-1/2	4-1/2	4-1/2	3-9/16	6-7/8	7-1/8	2-1/4	9-7/8	10-1/8	11-5/8
	5	5	4-1/2	3-9/16	6-7/8	7-1/8	2-1/4	9-7/8	10-1/8	11-5/8
14	5-1/2	5-1/2	4-1/2	3-9/16	6-7/8	7-1/8	2-1/4	9-7/8	10-1/8	11-5/8
	2-1/2	3	5-1/2	3-13/16	8-1/8	8-5/8	2-1/4	11-1/4	11-3/4	13-1/8
	3	3-1/2	5-1/2	3-13/16	8-1/8	8-5/8	2-1/4	11-1/4	11-3/4	13-1/8
	3-1/2	3-1/2	5-1/2	3-13/16	8-1/8	8-5/8	2-1/4	11-1/4	11-3/4	13-1/8
	4	4	5-1/2	3-13/16	8-1/8	8-5/8	2-1/4	11-1/4	11-3/4	13-1/8
	4-1/2	4-1/2	5-1/2	3-13/16	8-1/8	8-5/8	2-1/4	11-1/4	11-3/4	13-1/8
	5	5	5-1/2	3-13/16	8-1/8	8-5/8	2-1/4	11-1/4	11-3/4	13-1/8
16	5-1/2	5-1/2	5-1/2	3-13/16	8-1/8	8-5/8	2-1/4	11-1/4	11-3/4	13-1/8
	2-1/2	3	5-7/8	3-15/16	9-1/4	9-1/4	2-1/4	12-1/2	12-1/2	13-3/4
	3	3-1/2	5-7/8	3-15/16	9-1/4	9-1/4	2-1/4	12-1/2	12-1/2	13-3/4
	3-1/2	3-1/2	5-7/8	3-15/16	9-1/4	9-1/4	2-1/4	12-1/2	12-1/2	13-3/4
	4	4	5-7/8	3-15/16	9-1/4	9-1/4	2-1/4	12-1/2	12-1/2	13-3/4
	4-1/2	4-1/2	5-7/8	3-15/16	9-1/4	9-1/4	2-1/4	12-1/2	12-1/2	13-3/4
	5	5	5-7/8	3-15/16	9-1/4	9-1/4	2-1/4	12-1/2	12-1/2	13-3/4
18	5-1/2	5-1/2	5-7/8	3-15/16	9-1/4	9-1/4	2-1/4	12-1/2	12-1/2	13-3/4
	3-1/2	3-1/2	6	4-3/8	10-1/4	10-1/4	2-1/4	13-5/8	13-5/8	14-3/4
	4	4	6	4-3/8	10-1/4	10-1/4	2-1/4	13-5/8	13-5/8	14-3/4
	4-1/2	4-1/2	6	4-3/8	10-1/4	10-1/4	2-1/4	13-5/8	13-5/8	14-3/4
	5	5	6	4-3/8	10-1/4	10-1/4	2-1/4	13-5/8	13-5/8	14-3/4
20	5-1/2	5-1/2	6	4-3/8	10-1/4	10-1/4	2-1/4	13-5/8	13-5/8	14-3/4
	4	4	7-1/8	4-9/16	11-3/4	11-3/4	2-1/4	15-1/4	15-1/4	16-1/4
	4-1/2	4-1/2	7-1/8	4-9/16	11-3/4	11-3/4	2-1/4	15-1/4	15-1/4	16-1/4
	5	5	7-1/8	4-9/16	11-3/4	11-3/4	2-1/4	15-1/4	15-1/4	16-1/4
	5-1/2	5-1/2	7-1/8	4-9/16	11-3/4	11-3/4	2-1/4	15-1/4	15-1/4	16-1/4