



# NOPAK

First in Manufacturing. Engineered to Last.



---

## Nopak Accumulators

Bladder Type - 3000 PSI

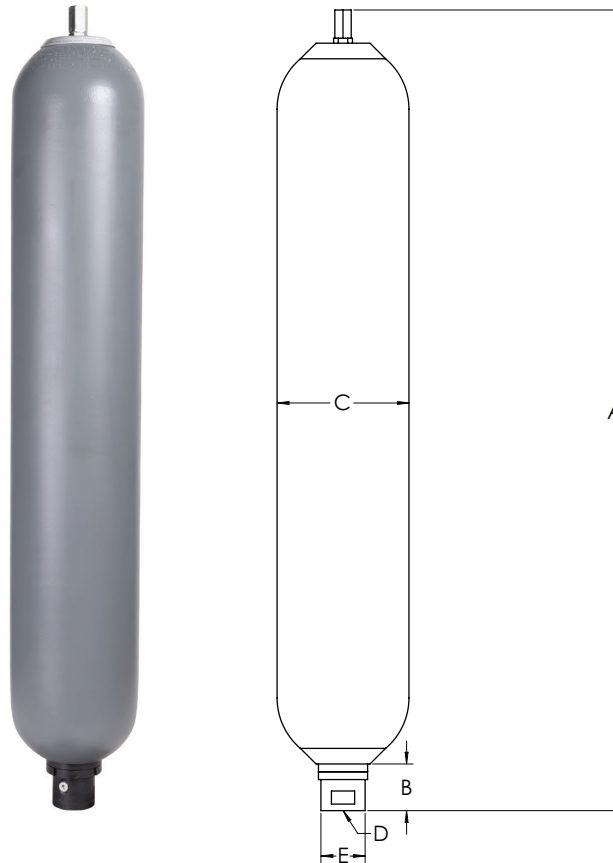
Overview 5000

---

# 3000 PSI Standard Bladder Accumulators

## Specifications:

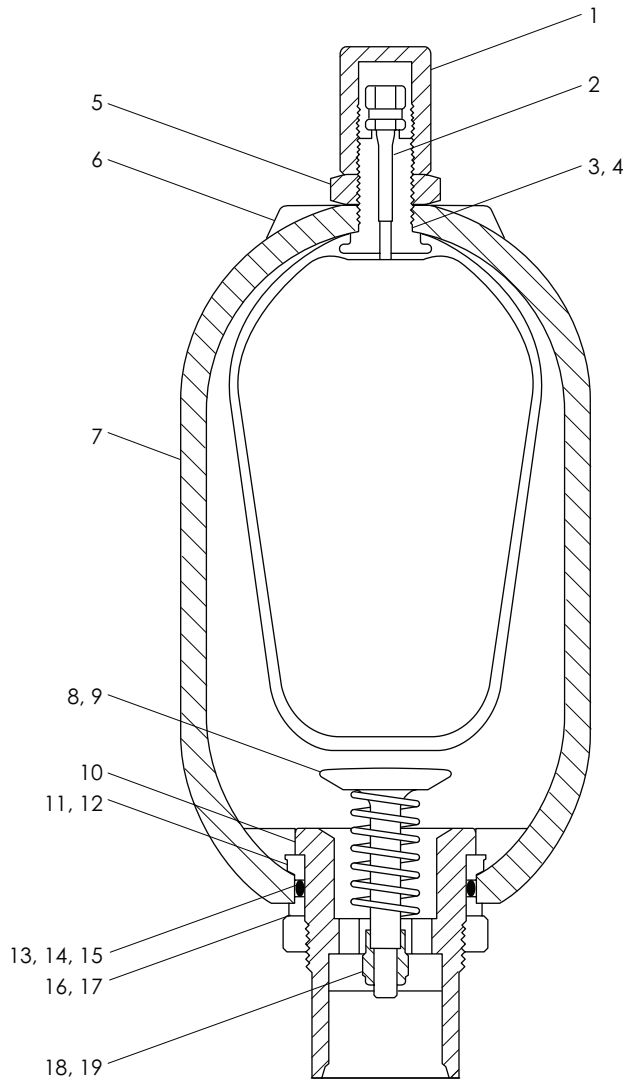
- ASME coded and stamped per Section 8, Division 1.
- Rated at 3,000 psi maximum working pressure.
- Carbon Steel Shell
- Buna-N Bladder standard



For sizes not listed, consult factory.

NOMINAL SIZE	SAE THREAD PART NUMBER	GAS VOL. CU. IN. (cm <sup>3</sup> )	DRY WT. LB. (kg)	DIMENSIONS, Inches (mm)				
				A	B	C	D (SAE)	E
1 QUART	3BAB001J016A	68.4 (1,121)	10 (4.5)	11.12 (282)	2.00 (51)	4.50 (114)	-16	1.62 (41)
1 GAL.	3BAB004J020A	226 (3,704)	34 (15)	17.00 (432)	3.50 (89)	6.75 (171)	-20	2.37 (60)
2.5 GAL.	3BAB010J024A	555 (9,096)	80 (36)	21.38 (543)	3.62 (92)	9.06 (230)	-24	3.00 (76)
5 GAL.	3BAB020J024A	1,095 (17,947)	120 (55)	33.38 (848)	3.62 (92)	9.06 (230)	-24	3.00 (76)
10 GAL.	3BAB040J024A	2,080 (34,091)	220 (100)	54.38 (1382)	3.62 (92)	9.06 (230)	-24	3.00 (76)
11 GAL.	3BAB044J024A	2,400 (39,330)	240 (109)	59.88 (1521)	3.62 (92)	9.06 (230)	-24	3.00 (76)
15 GAL.	3BAB060J024A	3,460 (56,709)	305 (139)	77.88 (1978)	3.62 (92)	9.06 (230)	-24	3.00 (76)

# Parts List



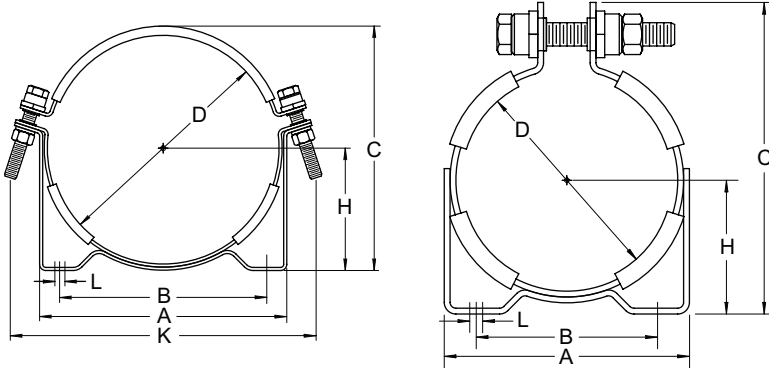
No.	Description	No.	Description	No.	Description
1	Protection Cap	8	Poppet Valve	15*	Back-up Ring
2*	Gas Valve	9	Spring	16	Spacer Ring
3*	Bladder Stem	10	Fluid Port Valve	17	Lock Nut Outer
4*	Bladder	11	Anti-extrusion Ring	18	Piston
5	Hex Jam Nut	12	Bladder Ring	19	Lock Nut
6	Name Plate	13*	Metal Back-up Ring		
7	Shell	14*	O Ring		

\* Included in Bladder Repair Kit.

# Accumulator Accessories



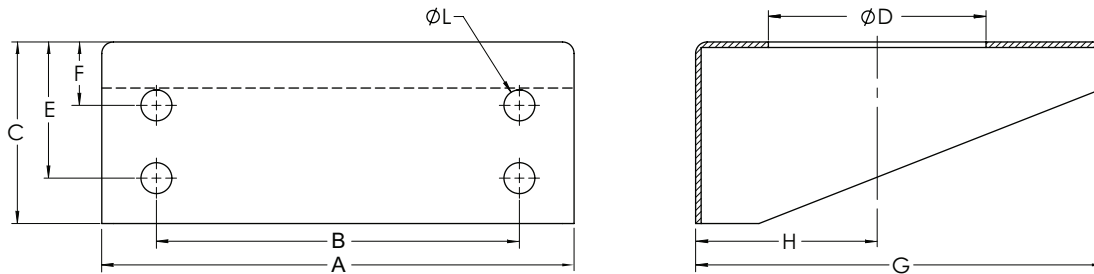
Mounting Clamps



Mounting Clamps and Base Brackets.

Size	Part Number	A	B	C	D (Dia.)	H	K	L	Width	Weight
1 Quart	3BA-SBC1	5.26	3.94	6.68	4.51	2.87	—	0.38 x 0.50 (Slot)	1.25	1.80
1 Gallon	3BA-SBC2	7.50	6.02	9.00	6.75	3.94	—	0.38 x 0.50 (Slot)	1.25	2.30
2.5-15 Gallon	3BA-DBC1	10.00	8.50	9.89	9.12	4.95	12.48	0.59 (Hole)	1.50	3.40

Base Brackets (shown without Rubber Ring)



Size	Part Number	A	B	C	D (Dia.)	E	F	G	H	L (Dia.)	Weight
1 Gallon	3BA-BB1	10.24	7.87	3.94	4.72	2.95	1.38	8.86	3.94	0.67	5.30
2.5-15 Gallon	3BA-BB2	10.24	7.88	3.94	6.69	2.95	1.38	8.86	4.84	0.67	5.30

## Repair Kits

Size	Type A	Type B
1 Quart	3BA-RK1Q-A	3BA-RK1Q-B
1 Gallon	3BA-RK1G-A	3BA-RK1G-B
2.5 Gallon	3BA-RK2.5G-A	3BA-RK2.5G-B
5 Gallon	3BA-RK5G-A	3BA-RK5G-B
10 Gallon	3BA-RK10G-A	3BA-RK10G-B
11 Gallon	3BA-RK11G-A	3BA-RK11G-B
15 Gallon	3BA-RK15G-A	3BA-RK15G-B

**Kit includes:**

Bladder, Bladder Stem, Gas Valve, O-ring, Back-up Ring, and Metal Back-up Ring.

**Type A:** Buna -N, -20°F to +200°F

**Type B:** Viton, -20°F to +250°F

## Charging Kit



Accumulator Charging Kit: 981-NES-1



First in Manufacturing. Engineered to Last.

# 3000 PSI Bladder Accumulators

## Ordering Code

	Working Pressure	Series	Size	Port Type	Port Size	Bladder/ Seal
	3	BAB	004	J	020	A
<b>Code</b>	Pressure Limit					
3	3000 PSI Max.					
<b>BAB</b>	Bladder Accumulator					
	(Bottom Repairable)					
<b>Code</b>	Volume (in Gallons)					
001	1.00 Quart					
004	1.00 Gallon					
010	2.50 Gallon					
020	5.00 Gallon					
040	10.00 Gallon					
044	11.00 Gallon					
060	15.00 Gallon					
<b>Code</b>	Port Type					
J	SAE ORB (Standard)					
N	NPT Ports					
<b>Code</b>	Port Size					
016	-16 SAE (1.00")					
020	-20 SAE (1.25")					
024	-24 SAE (1.50")					
075	0.75" NPT					
125	1.25" NPT					
200	2.00" NPT					
<b>Code</b>	Description					
A	Buna -N: -20°F to +200°F					
B	Viton: -20°F to +250°F					
S	Special (Specify)					

Size	Standard Port Size	NPT (Optional)
1 Quart	-16 SAE ORB	0.75"
1 Gallon	-20 SAE ORB	1.25"
2.5 - 15 Gallon	-24 SAE ORB	2.00"

# The GHN Difference

Galland Henning Nopak, Inc. (GHN) started in 1887 manufacturing pneumatic malting equipment. Surviving Prohibition and the Great Depression, GHN began innovating the high density balers and cylinders and valves it's known for today. Galland Henning Nopak is moving forward at a rapid pace.

In January of 2015 we moved into a new World Headquarters in Franklin, WI. Our facility sits on six acres and boasts cutting edge CNC machining. The new facility has increased capacity and expanded capability. This allows us to produce large bore close tolerance cylinders and valves.

GHN unveiled a new brand mark, capitalizing on two product lines: Galland Henning High Density Balers, and NOPAK Cylinders and Valves. With this re-branding came a modernized website and new full-line catalog.

GHN also unleashed a new web-based 3D Product Configurator. This innovative software allows customers to build, price, and generate multiple CAD models and drawings.

The Galland Henning Nopak team continues to strive for excellence. We stand behind our century-old reputation for delivering durable, long-lasting products. NOPAK backs up these claims with an industry leading five-year exclusive warranty. We are proud to introduce our products to you and are excited to be a partner in your business solutions.



**GALLAND  
HENNING  
NOPAK**

Engineering Solutions  
Since 1887

10179 S. 57th Street; Franklin, WI 53132  
p 414.645.6000 | f 414.645.6048  
www.nopak.com | sales@nopak.com